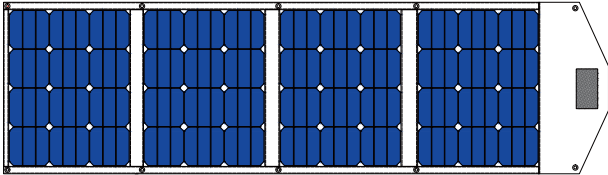


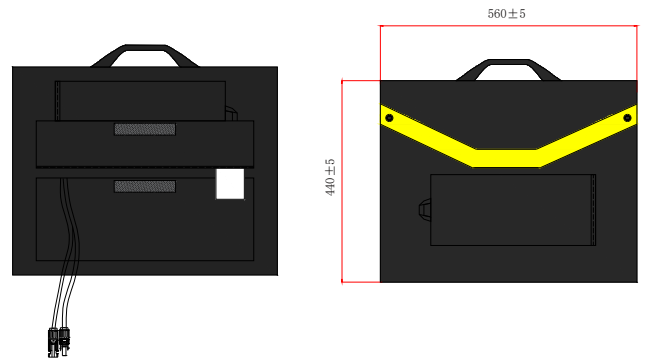
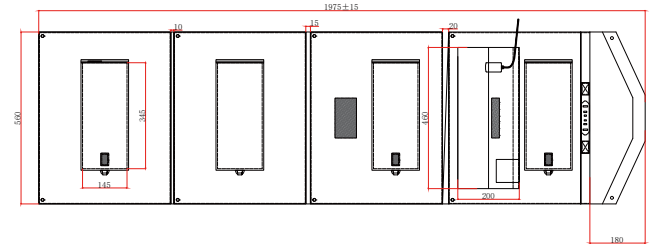
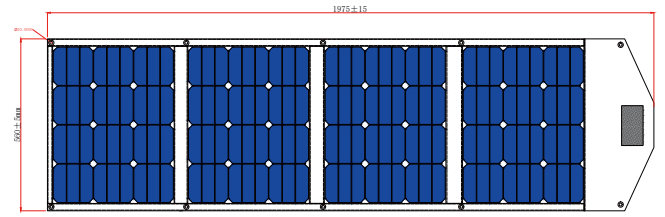
Product Details

PORTABLE SOLAR PANELS

SPC-TF-S-4*45W



Module Diagram



Electrical Characteristics

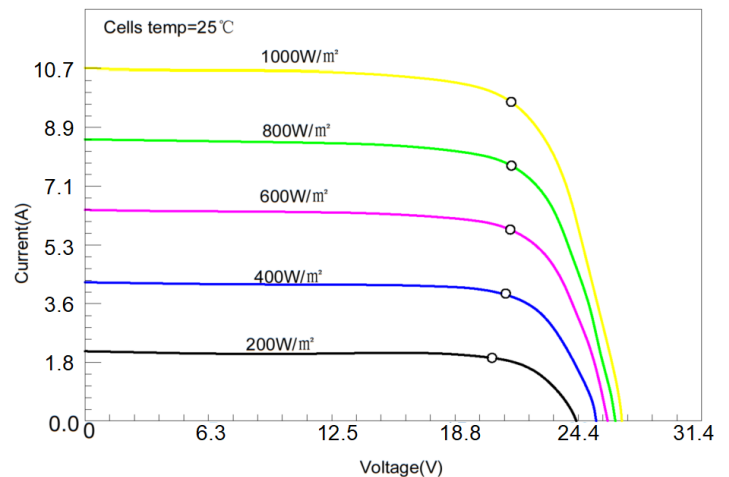
Maximum power(Pmax)	180W
Open-circuit voltage(Voc)	26.2V
Voltage at Pmax(Vmp)	22.3V
Short-circuit current(Isc)	8.56A
Current at Pmax(Imp)	8.08A
Cells Efficiency(%)	24.40%
The maximum system voltage	100V DC(IEC)
Power temperature coefficient	-0.27%/°C
Voltage temperature coefficient	-0.236%/°C
Current temperature coefficient	0.058%/°C
Output power tolerance	±5%
Operating Temperature	-10°C~60°C

Specifications

Solar cell brand	SunPower
No.of cells and connections	144(4*9*4)
Folding size	560 x 440 x 25mm
Unfold Size	1975 x 560 x 4mm
Weight	4.8KG
Output cable	MC4
Waterproof	IP53
Certifications	CE, ROHS
Warranty	2-year warranty, 8-year service life

Product Introduction

Sungold SPC-TF series products are popular solar folding bag styles in the market. They are made of polymer materials and have high flexibility and strength. Optional ETFE surface and diamond surface, beautiful and fashionable surface. OEM according to your requirements. All-in-one synthetic fiber stitching process for longer life, making it best for those with RVs, campers and off-grid adventures.



*SUNGOLD offer customize service, please refer to our website or ask SUNGOLD workers for more sizes and the latest parameters.