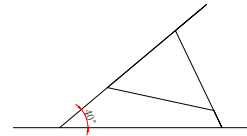
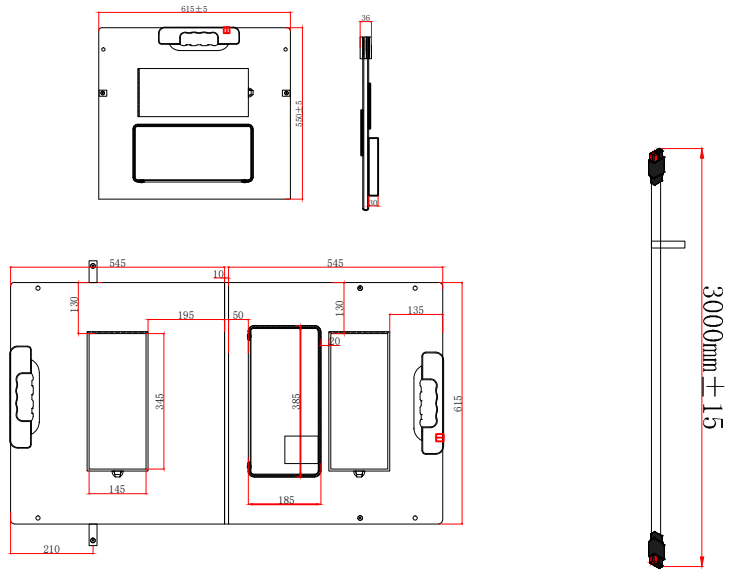
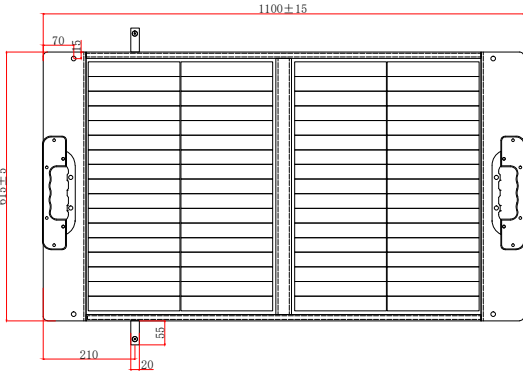


Product Details

PORTABLE SOLAR PANEL SGWB2-TF-D-2*50W-B



SGWB2-TF-D-2*50W-B

Specifications

Maximum power(Pmax)	100W
Open-circuit voltage(Voc)	22.9V
Voltage at Pmax(Vmp)	19.4V
Short-circuit current(Isc)	5.46A
Current at Pmax(Imp)	5.16A
Cells Efficiency(%)	22.00%
The maximum system voltage	100V DC(IEC)
Power temperature coefficient	-0.38%/°C
Voltage temperature coefficient	-0.36%/°C
Current temperature coefficient	0.05%/°C
Output power tolerance	±3%
Operating Temperature	-10°C~60°C

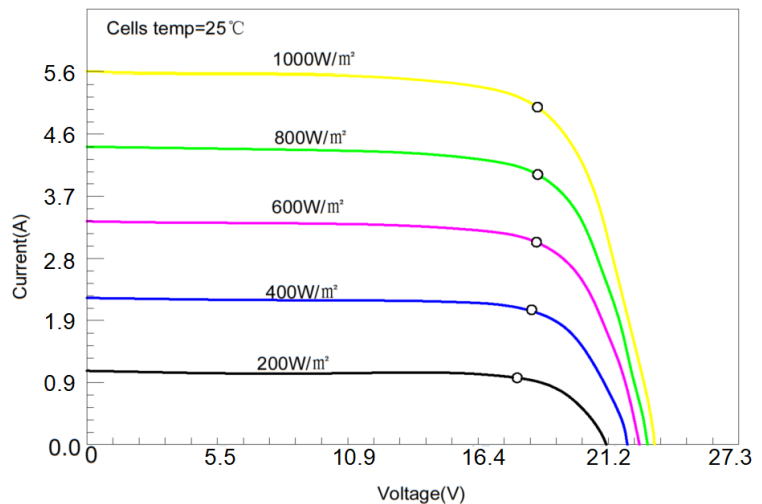
Specifications

Solar cell brand	A grade mono solar cells 210mm
No.of cells and connections	68(2*17*2)
Folding size	1100*615*20mm
Development size	615*550*36mm
Approvals	IP53
Certifications	CE, ROHS, FCC
Warranty	Warranty 1-year life 8 years

Product Introduction

Sungold Winner bag SGWB2-TF-D series portable solar panels use PERC shingled solar cells. higher conversion efficiency. At the same time, the solar panel is easy to set up with adjustable brackets, easy to carry and install, and ideal for outdoor use.

The solar panel size and the carrying handle's color can be flexibly set and customized according to your needs. It also features high compatibility for use with portable power stations; it can also be readily used as an external USB port for your other mobile device needs.



*SUNGOLD offer customize service, please refer to our website or ask SUNGOLD workers for more sizes and the latest parameters.